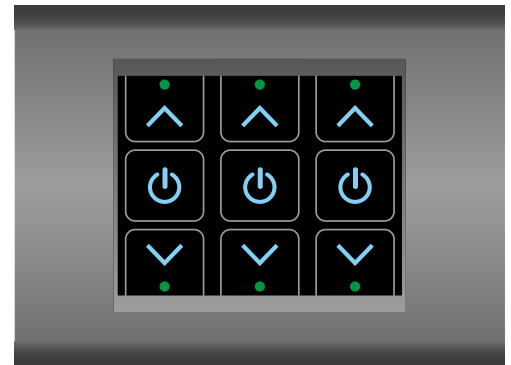


# Touch Panel Switch Module



## Introduction

The E-Plex 416TPS series has a resistive touch panel, with LED's for status indication. The touch panel display also includes an audible alarm for switch input verification or alert conditions.

Customizable artwork is available for button identification. The display's electroluminescent (EL) backlight allows the entire touch screen to be illuminated uniformly, making them easy to view in various lighting conditions. The backlight can also be operated in a screen saver mode which will blank it when not in use to extend the life of the EL panel. In addition, the audible alarm can be muted for nighttime operation.

## Key Features

- 10 Green LED's for status indications.
- Up to 10 user-defined touch regions.
- Piezo buzzer for alert notification.
- Electroluminescent backlight for night-time display.
- 3" diagonal resistive touch panel.
- Custom artwork overlays with a variety of plastic bezel finishes for interior aesthetics.
- LEN value 6.

## Design Specifications

- Impact resistance: 9g steel ball dropped from 30cm.
- Vibration: 1G, 10 - 500Hz for 1 hour, each direction.
- Moisture resistance: IP50.
- PCB characteristics: UL94V-0.

## Electrical Specifications

Description	Minimum	Nominal	Maximum
Operating Voltage	7 VDC	12 / 24 VDC	32 VDC
Operating Current, no E-Plex loads	30 mA	-	65 mA

## Physical Specifications

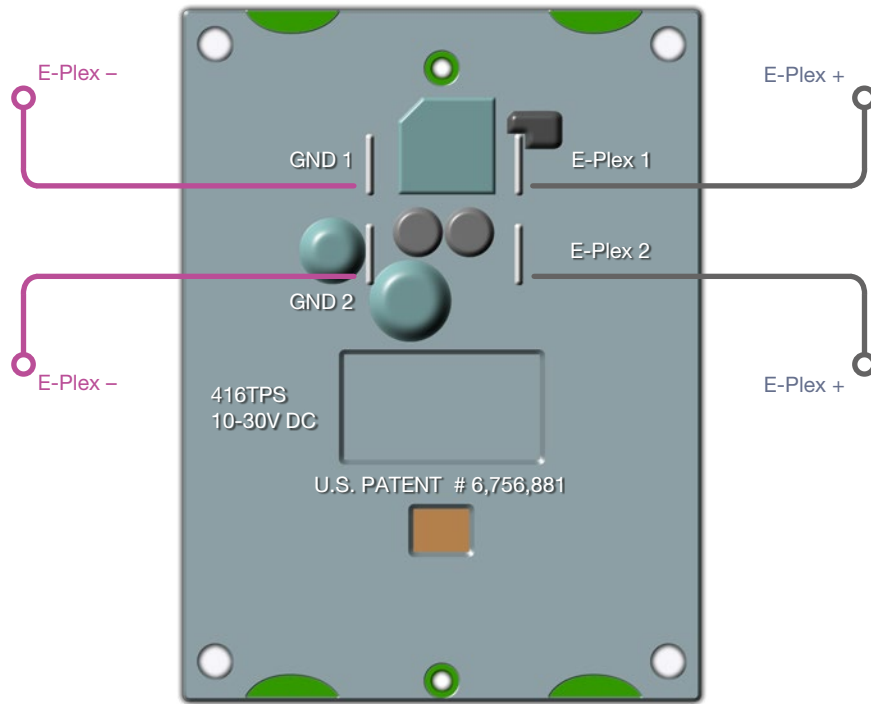
Front Bezel	ULV94-0 approved molded ABS
Back Cover	ULV94-0 approved molded ABS
LED's	50 mcd
Electroluminescent (EL) Backlight	5,000 hours typical half-life
Touch Glass Frame	Stamped Stainless Steel
Operating Temperature	-20°C to 60°C
Storage Temperature	-40°C to 85°C
Operating Humidity	5% to 95% (non-condensing)
Weight	2.1 ounces (60 grams)
Recommended Wire Specification for E-Plex Twisted Pair <sup>1</sup>	16 AWG (1.3 mm) - Unshielded, twisted pair General purpose: Belden 1035 A - Non-tinned Marine: Belden 9410 - Tinned

## Wiring Specifications

Terminal Connector Specifications	Tin-plated male 0.250" quick-connect tabs
Mating Connector Specification	0.250" female spade terminal

NOTE: 1. Unrestricted topology: Star, Tree, Daisy Chain configurations all valid.

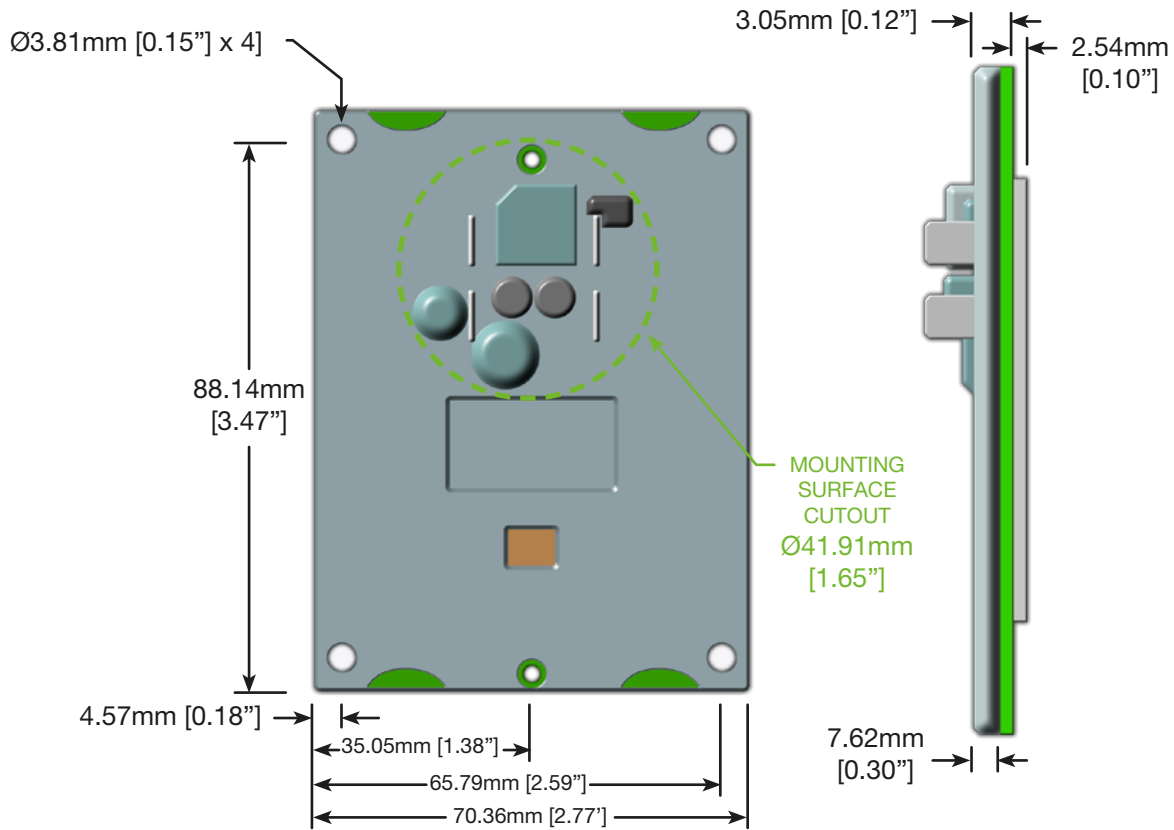
## Typical Wiring Diagram



## Connection Specifications

Pin #	Pin Description	Inputs and Outputs
1	E-Plex Data Bus -	I / O
2	E-Plex Data Bus -	I / O
3	E-Plex Data Bus +	I / O
4	E-Plex Data Bus +	I / O

## Dimensional Diagram



## Dimensional Diagram

Cut a circular hole in the surface to allow the wiring and protruding components on the back side of the module to protrude through. The hole-saw cut should be at least  $42\text{mm}$  [1.65"] diameter. Then, drill four mounting holes  $3.81\text{mm}$  [0.15"] diameter for the mounting screws.

## Mounting Specifications

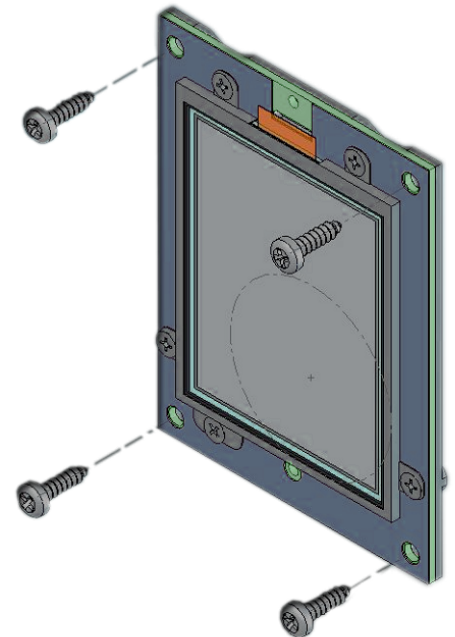
Screw assembly to a flat mounting surface in 4 places, as shown in the illustration.

## Mounting Instructions

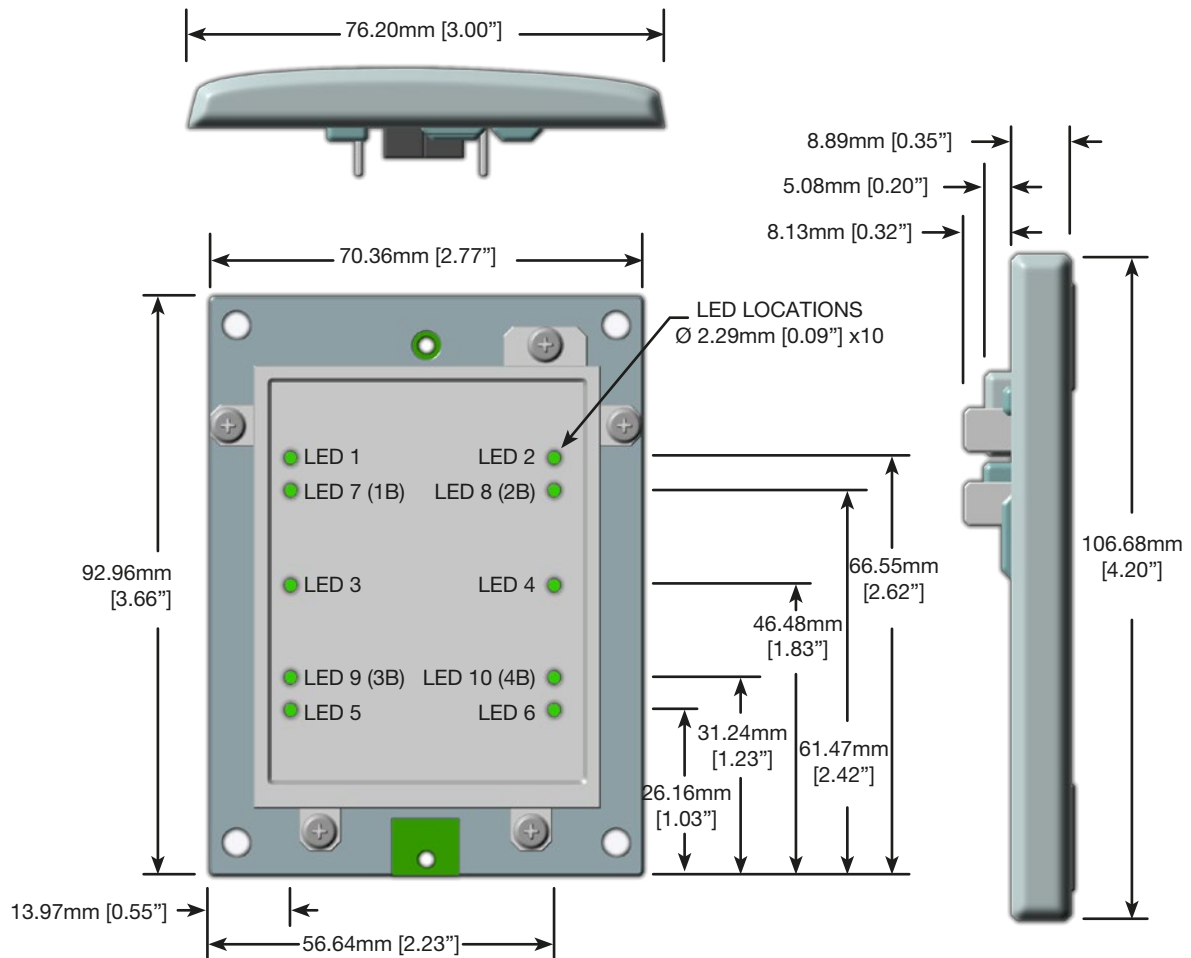
Use M3 size screw and to  $90\sim 113\text{ N}\cdot\text{cm}$ . Do not exceed this torque as it could cause damage to the electronics.

Imperial (English) fasteners: Use #6 size screws and torque to  $8\sim 10\text{ in}\cdot\text{lb}$ . Do not exceed this torque as it could cause damage to the electronics.

The mounting screw head height must be less than  $0.01\text{"} (0.254\text{mm})$ .



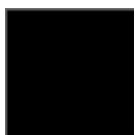
## Dimensional Diagram



## Ordering Information

Description	E-Plex Part Number
416TPS Series - Touch Panel Switch	EP-CONT-TPS-416TPS
Customer Defined Bezel (see below)	EP-BEZEL-TPS-XX

## Standard Bezel Options



Flat Black Bezel  
EP-BEZEL-TPS-BLACKMATT



Black Gloss Bezel  
EP-BEZEL-TPS-BLACKGLOSS



Bronze Bezel  
EP-BEZEL-TPS-BRONZE



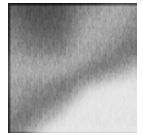
Grey Gloss Bezel  
EP-BEZEL-TPS-GGREY



White Gloss Bezel  
EP-BEZEL-TPS-GLOSSWHITE



Silver Chrome Gloss Bezel  
EP-BEZEL-TPS-CHROME



Metallic Nickel Gloss Bezel  
EP-BEZEL-TPS-NICKEL



52 – 54 Riverside, Sir Thomas Longley Road, Medway City Estate, Rochester, Kent ME2 4DP  
tel: +44 (0)1634 711622 fax: +44 (0)1634 290773

email: [sales@e-plex.co](mailto:sales@e-plex.co)  
web: [www.e-plex.co](http://www.e-plex.co)

Important Notice: E-Plex Ltd. (E-Plex) reserves the right to make changes to or discontinue any product or service identified in this publication without notice. E-Plex advises its customers to obtain the latest version of the relevant information to verify, before placing any orders, that the information being relied upon is current. E-Plex assumes no responsibility for infringement of patents or rights of others based on E-Plex applications assistance or product specifications since E-Plex does not possess full access concerning the use or application of customers' products. E-Plex also assumes no responsibility for customers' product designs.